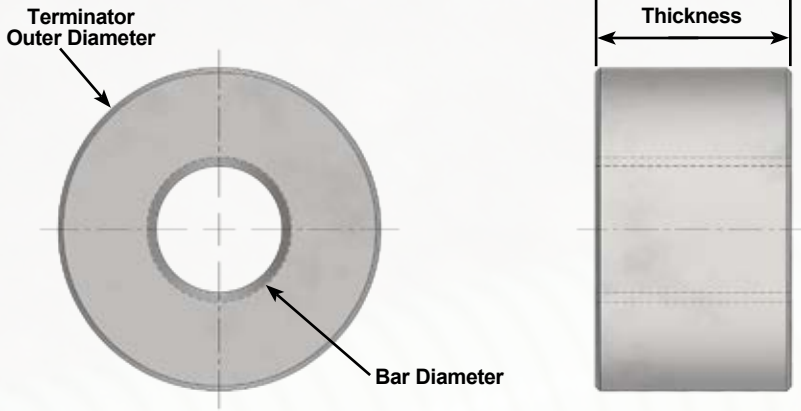




Threaded Bar Terminators



Williams threaded terminators offer an economical alternative to the conventional approach of a plate between two hex nuts. With only a single component, they are more efficient to install and reduce congestion around the reinforcement. Since they are used with Williams threaded bars, they can be easily adjusted to the desired location and require no specialized equipment to install unlike other terminator systems.

Williams terminators meet the requirements of ASTM A970 Class HA. The dimensions shown for bar sizes up to #11 (1-3/8") exceed the requirements of ACI 318-19 Section 25.4.4, so can be used as headed reinforcement to reduce development length of a Williams threaded bar without the need for 90 degree bends or 180 degree hooks. Additionally, the nominal pullout strength of Williams terminators in 3000 psi concrete exceeds the specified tensile strength of the bar per ACI 318-19 Chapter 17. Other failure modes such as concrete breakout and side face blowout should be analyzed by the Engineer of Record.

For larger quantities, contact your Williams Representative to evaluate the cost saving design advantages of higher strength concrete.



150 KSI All-Thread-Bar Terminators

Bar Diameter	Thickness	Terminator OD	Part Number
1" (26 mm)	1-5/8" (41 mm)	3" (76 mm)	R74-08-DN
1-1/4" (32 mm)	1-7/8" (48 mm)	3-3/4" (95 mm)	R74-10-DN
1-3/8" (36 mm)	2-1/8" (54 mm)	4-1/4" (108 mm)	R74-11-DN
1-3/4" (46 mm)	3-1/2" (89 mm)	5-1/4" (133 mm)	R74-14-DN
2-1/4" (57 mm)	3-3/4" (95 mm)	6-3/4" (171 mm)	R74-18-DN

Grade 75/80 Terminators

Bar Desig. & Nominal Dia.	Thickness	Terminator OD	Part Number
#6 - 3/4" (19 mm)	1-1/8" (29 mm)	1-7/8" (48 mm)	R64-06-DN
#7 - 7/8" (22 mm)	1-1/4" (32 mm)	2-1/4" (57 mm)	R64-07-DN
#8 - 1" (25 mm)	1-3/8" (35 mm)	2-1/2" (64 mm)	R64-08-DN
#9 - 1-1/8" (29 mm)	1-1/2" (38 mm)	2-3/4" (70 mm)	R64-09-DN
#10 - 1-1/4" (32 mm)	2" (51 mm)	3-1/8" (79 mm)	R64-10-DN
#11 - 1-3/8" (36 mm)	2-1/8" (54 mm)	3-1/2" (89 mm)	R64-11-DN
#14 - 1-3/4" (43 mm)	2-1/2" (64 mm)	4-1/8" (105 mm)	R64-14-DN
#18 - 2-1/4" (57 mm)	3-3/4" (95 mm)	5-1/2" (140 mm)	R64-18-DN
#20 - 2-1/2" (64 mm)	3-3/4" (95 mm)	6-1/8" (156 mm)	R64-20-DN

Grade 60 Terminators

Bar Desig. & Nominal Dia.	Thickness	Terminator OD	Part Number
#4 - 1/2" (13 mm)	7/8" (22 mm)	1-1/4" (32 mm)	R54-04-DN
#5 - 5/8" (16 mm)	1" (25 mm)	1-1/2" (38 mm)	R54-05-DN
#6 - 3/4" (19 mm)	1-1/8" (29 mm)	1-3/4" (45 mm)	R54-06-DN
#7 - 7/8" (22 mm)	1-1/4" (32 mm)	2" (51 mm)	R54-07-DN
#8 - 1" (25 mm)	1-3/8" (35 mm)	2-1/4" (57 mm)	R54-08-DN